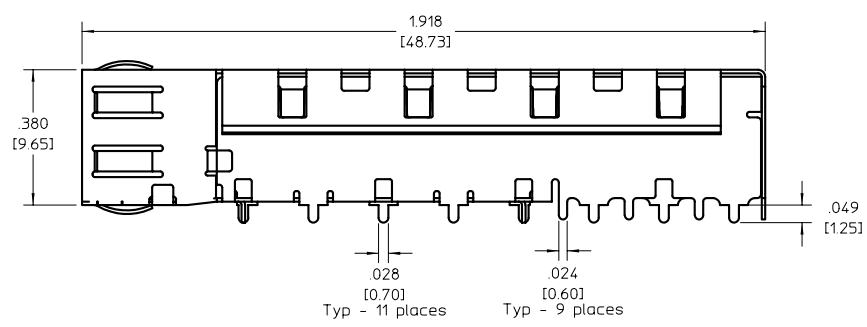
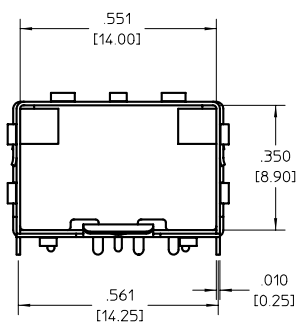
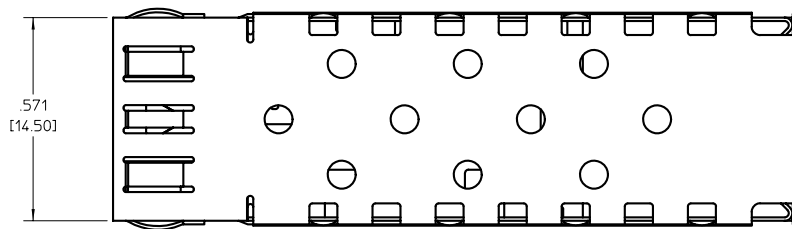
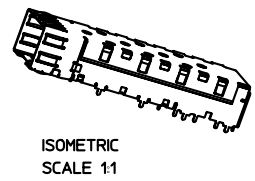


SFP Cage - Exploded View

- 1 Material tin plated phosphor-bronze or comparable alloy .010" thick.
- 2 Cage accepts all MSA Small Form-factor Pluggable adapters such as Molex patch cable assembly 73929.
- 3 Sales Drawing Set SD-73927-001 depicts details of press-fit version of cage.
- 4 Sales Drawing Set SD-73927-003 depicts details of surface mount version of cage.

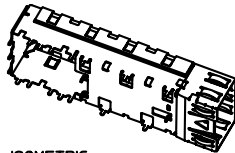
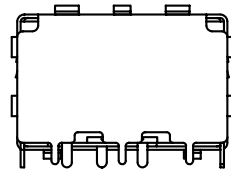
ASSOCIATED PARTS	
MATERIAL NO.	DESCRIPTION
73927-0020	SFP CAGE COVER
73927-0040	SFP CAGE BASE

SD UPDATE EC NO.: UDT2001-0273 DRWN: DIRKERS 2001/05/01 CHKD: DIRKERS 2001/05/02 APPR: DOOYE 2001/05/03	DESCRIPTION REV	QUALITY SYMBOLS	GENERAL TOLERANCES (UNLESS SPECIFIED)	SCALE 3:1	DESIGN UNITS METRIC	THIRD ANGLE PROJECTION	REVISE ON CAD ONLY													
		$\nabla = 0$ $\sphericalcap = 0$	<table border="1"> <thead> <tr> <th></th> <th>mm</th> <th>INCH</th> </tr> </thead> <tbody> <tr> <td>4 PLACES</td> <td><math>\pm .005</math></td> <td><math>\pm .0005</math></td> </tr> <tr> <td>3 PLACES</td> <td><math>\pm .005</math></td> <td><math>\pm .0005</math></td> </tr> <tr> <td>2 PLACES</td> <td><math>\pm .005</math></td> <td><math>\pm .0005</math></td> </tr> <tr> <td>1 PLACE</td> <td><math>\pm 0.13</math></td> <td><math>\pm .005</math></td> </tr> </tbody> </table>		mm	INCH	4 PLACES	$\pm .005$	$\pm .0005$	3 PLACES	$\pm .005$	$\pm .0005$	2 PLACES	$\pm .005$	$\pm .0005$	1 PLACE	$\pm 0.13$	$\pm .005$	DIMENSION STYLE IN/MM	TITLE SFP CAGE ASSEMBLY SOLDER POST VERSION
			mm	INCH																
		4 PLACES	$\pm .005$	$\pm .0005$																
3 PLACES	$\pm .005$	$\pm .0005$																		
2 PLACES	$\pm .005$	$\pm .0005$																		
1 PLACE	$\pm 0.13$	$\pm .005$																		
	ANGULAR $\pm 1/2^\circ$	DRAWN BY DATE DIRKERS 2000/09/05	MOLEX INCORPORATED MATERIAL NO. 73927-0002 DOCUMENT NO. SD-73927-002 SHEET NO. 1 OF 6																	
	DRAFT WHERE APPLICABLE MUST REMAIN WITHIN DIMENSIONS	CHECKED BY DATE DOYE 2000/09/05																		
		APPROVED BY DATE RUSSELL 2000/09/05		THIS DRAWING CONTAINS INFORMATION THAT IS PROPRIETARY TO MOLEX INCORPORATED AND SHOULD NOT BE USED WITHOUT WRITTEN PERMISSION																

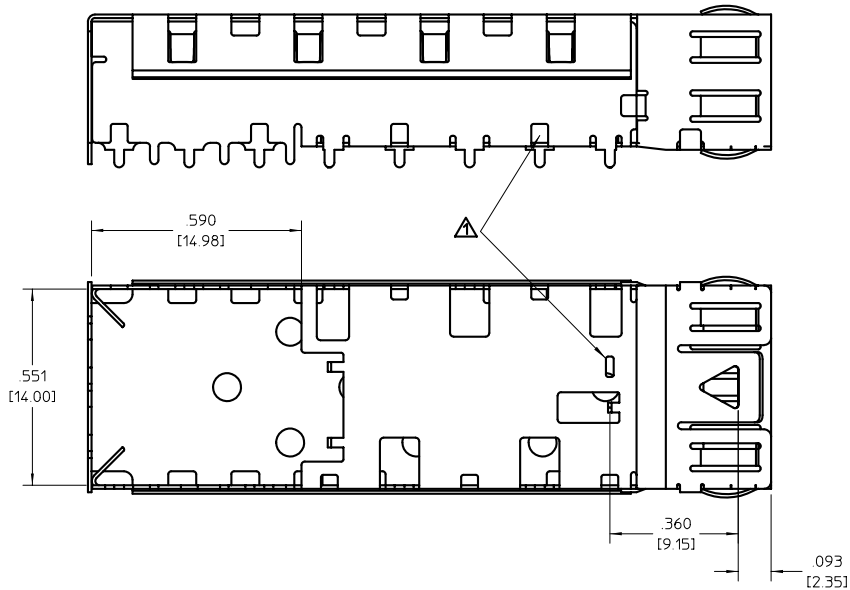


1 Solder posts sized to fit MSA standard hole pattern and sizes

SD UPDATE EC NO: UDT2001-0273 DRWN: DIRKERS 2001/05/01 CHKD: DIRKERS 2001/05/02 APPR: DOOYE 2001/05/03	QUALITY SYMBOLS	GENERAL TOLERANCES (UNLESS SPECIFIED)		SCALE 5:1	DESIGN UNITS METRIC	THIRD ANGLE PROJECTION	REVISE ON CAD ONLY
	▽ = 0	mm	INCH	DIMENSION STYLE IN/MM		TITLE SFP CAGE ASSEMBLY SOLDER POST VERSION	
	▽ = 0	4 PLACES ± .005	± .005	DRAWN BY DIRKERS	DATE 2000/09/05	MATERIAL NO. 73927-0002	
		3 PLACES ± .005	± .005	CHECKED BY DOYE	DATE 2000/09/05	DOCUMENT NO. SD-73927-002	SHEET NO. 2 OF 6
		2 PLACES ± .013	± .013	APPROVED BY RUSSELL	DATE 2000/09/05	THIS DRAWING CONTAINS INFORMATION THAT IS PROPRIETARY TO MOLEX INCORPORATED AND SHOULD NOT BE USED WITHOUT WRITTEN PERMISSION	
		1 PLACE ± 0.13	± .013	DRAFT WHERE APPLICABLE MUST REMAIN WITHIN DIMENSIONS			

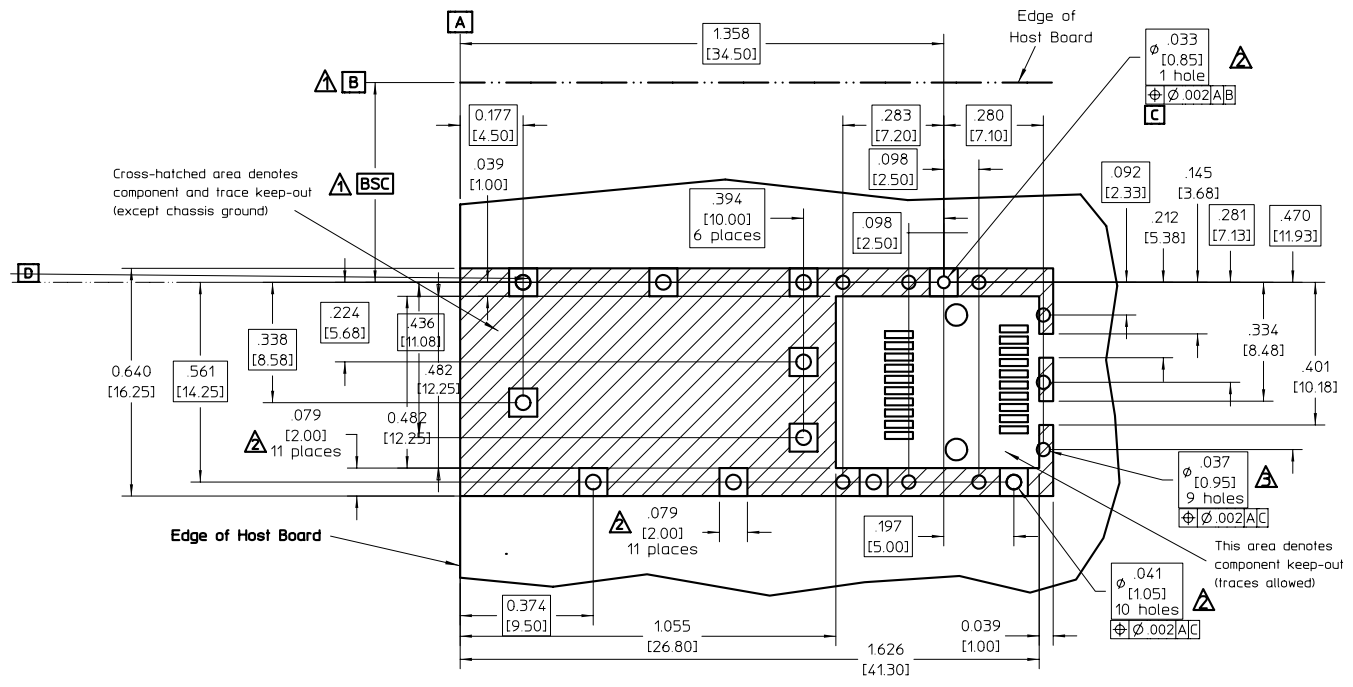


ISOMETRIC  
SCALE 1:1



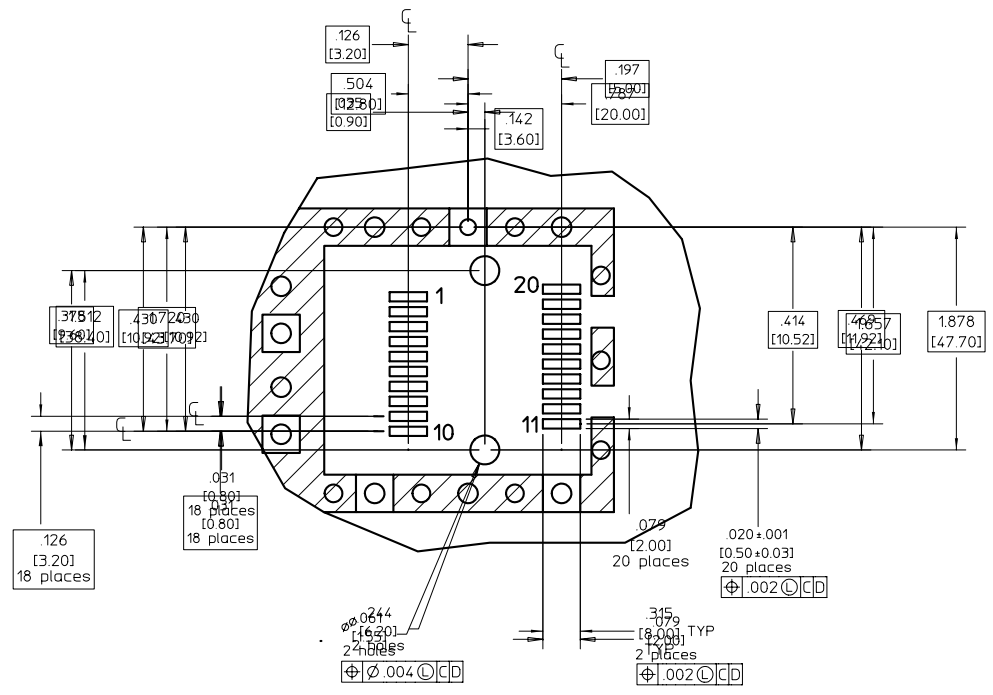
△ Countercuts accept press-fit pins or solder posts of cage mounted on underside of same host PCB.

SD UPDATE EC NO. UDT2001-0273 DRWN: DIRKERS 2001/05/01 CHKD: DIRKERS 2001/05/02 APPR: DOYNE 2001/05/03	QUALITY SYMBOLS ▽ = 0 ▽ = 0	GENERAL TOLERANCES (UNLESS SPECIFIED) 4 PLACES ± .005 3 PLACES ± .005 2 PLACES ± .005 1 PLACE ± 0.13 ANGULAR ± 1/2° DRAFT WHERE APPLICABLE MUST REMAIN WITHIN DIMENSIONS	SCALE 5:1 DESIGN UNITS METRIC DIMENSION STYLE IN/MM DRAWN BY DATE DIRKERS 2000/09/05 CHECKED BY DATE DOYNE 2000/09/05 APPROVED BY DATE RUSSELL 2000/09/05	THIRD ANGLE PROJECTION REVISE ON CAD ONLY TITLE SFP CAGE ASSEMBLY SOLDER POST VERSION MOLEX INCORPORATED MATERIAL NO 73927-0002 DOCUMENT NO SD-73927-002 SHEET NO 3 OF 6
	DESCRIPTION REV			



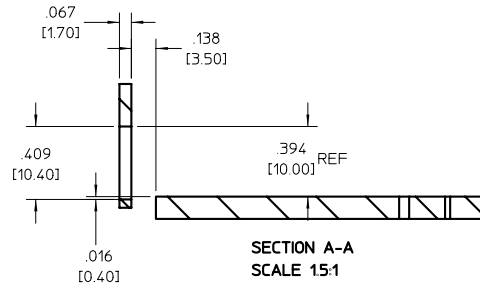
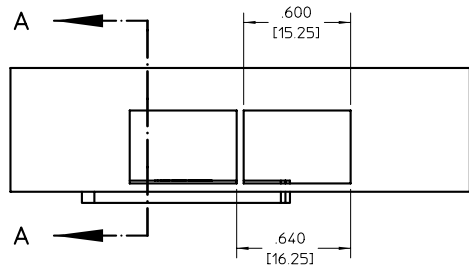
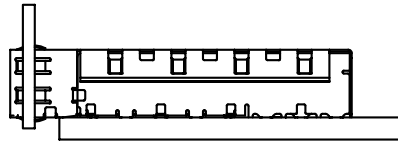
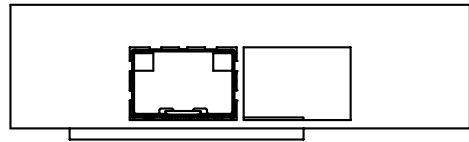
- △ Datum and basic dimensions established by customer.
- △ Vias and pads chassis ground, plated through, 11 places. Pads optional.
- △ Holes optionally plated through.
- 4. Hole pattern allows two parts to be mounted "belly-to-belly" on .090-.125" nom boards. Hole layout shown for one side only. Transceiver profile determines minimum board thickness in "belly-to-belly" applications.
- 5. "Belly-to-belly" mounting on boards < .090" nom requires modifying some cage features.

SD UPDATE EC NO. UDT2001-0273 DRWN: DIRKERS 2001/05/01 CHKD: DIRKERS 2001/05/02 APPR: DOYE 2001/05/03	DESCRIPTION REV	QUALITY SYMBOLS	GENERAL TOLERANCES (UNLESS SPECIFIED)		SCALE 3:1	DESIGN UNITS METRIC	THIRD ANGLE PROJECTION	REVISE ON CAD ONLY		
		▽ = 0	mm	INCH	DIMENSION STYLE IN/MM		TITLE SFP CAGE ASSEMBLY SOLDER POST VERSION			
		∇ = 0	4 PLACES ± ---	± ---	DRAWN BY DATE	DIRKERS 2000/09/05				
			3 PLACES ± ---	± .005	CHECKED BY DATE	DOYE 2000/09/05		MATERIAL NO. 73927-0002 DOCUMENT NO. SD-73927-002 SHEET NO. 4 OF 6		
	2 PLACES ± ---	± ---	APPROVED BY DATE		RUSSELL 2000/09/05		THIS DRAWING CONTAINS INFORMATION THAT IS PROPRIETARY TO MOLEX INCORPORATED AND SHOULD NOT BE USED WITHOUT WRITTEN PERMISSION			
	1 PLACE ± 0.13	± ---	DRAFT WHERE APPLICABLE MUST REMAIN WITHIN DIMENSIONS							
	ANGULAR ±1/2°									



- 1 Hole pattern shown depicts both sets of holes needed for mounting two cages "belly-to-belly".
- 2 Connector pad pattern per MSA, will accommodate surface mount Molex connector 74441-0001 or equivalent.

SD UPDATE EC NO: UDT2001-0273 DRWN: DIRKERS 2001/05/01 CHKD: DIRKERS 2001/05/02 APPR: DOOYE 2001/05/03	QUALITY SYMBOLS	GENERAL TOLERANCES (UNLESS SPECIFIED)		SCALE 3:1	DESIGN UNITS METRIC	THIRD ANGLE PROJECTION	REVISE ON CAD ONLY
	▽ = 0	4 PLACES ± ---	mm INCH	DIMENSION STYLE IN/MM		TITLE SFP CAGE ASSEMBLY SOLDER POST VERSION	
	∇ = 0	3 PLACES ± ---	± .005	DRAWN BY DIRKERS	DATE 2000/09/05	MOLEX MOLEX INCORPORATED	
		2 PLACES ± ---	± ---	CHECKED BY DOYE	DATE 2000/09/05	MATERIAL NO 73927-0002	DOCUMENT NO SD-73927-002
		1 PLACE ± 0.13	± ---	APPROVED BY RUSSELL		DATE 2000/09/05	
		ANGULAR ± 1/2°		THIS DRAWING CONTAINS INFORMATION THAT IS PROPRIETARY TO MOLEX INCORPORATED AND SHOULD NOT BE USED WITHOUT WRITTEN PERMISSION			
		DRAFT WHERE APPLICABLE MUST REMAIN WITHIN DIMENSIONS					

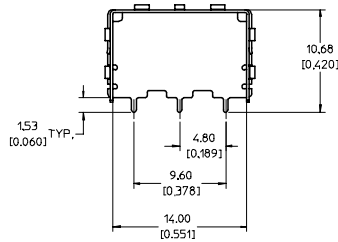
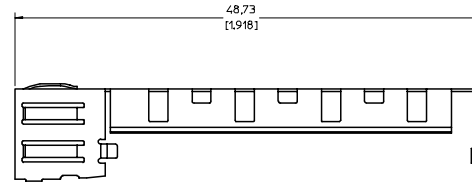
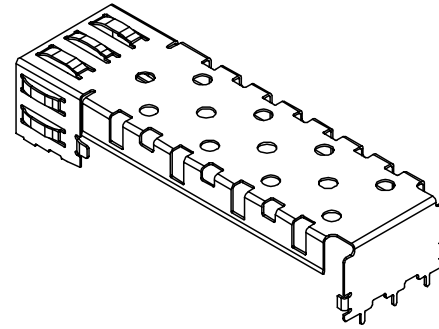
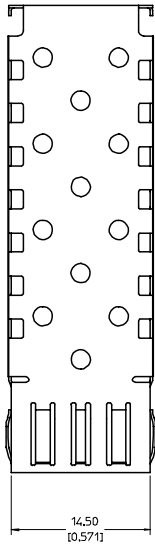


1 Relational geometry per MSA standard.

SD UPDATE EC NO: UDT2001-0273 DRWN: DIRKERS 2001/05/01 CHKD: DIRKERS 2001/05/02 APPR: DOYNE 2001/05/03	DESCRIPTION REV	QUALITY SYMBOLS	GENERAL TOLERANCES (UNLESS SPECIFIED)		SCALE 3:1	DESIGN UNITS METRIC	THIRD ANGLE PROJECTION	REVISE ON CAD ONLY	
		▼ = 0 ▽ = 0	mm	INCH	DIMENSION STYLE IN/MM		TITLE		
			4 PLACES ± --- ± ---		DRAWN BY DATE		SFP CAGE ASSEMBLY SOLDER POST VERSION		
			3 PLACES ± --- ± .005		DIRKERS 2000/09/05				
	2 PLACES ± --- ± ---		CHECKED BY DATE		MOLEX INCORPORATED				
	1 PLACE ± 0.13 ± ---		DOYE 2000/09/05						
	ANGULAR ± 1/2°	DRAFT WHERE APPLICABLE MUST REMAIN WITHIN DIMENSIONS		APPROVED BY DATE	MATERIAL NO	DOCUMENT NO	SHEET NO		
				RUSSELL 2000/09/05	73927-0002	SD-73927-002	6 OF 6		
THIS DRAWING CONTAINS INFORMATION THAT IS PROPRIETARY TO MOLEX INCORPORATED AND SHOULD NOT BE USED WITHOUT WRITTEN PERMISSION								B	

20 19 18 17 16 15 14 13 12 11 10 9 8 7 6 5 4 3 2 1

M  
L  
K  
J  
I  
H  
G  
F  
E  
D  
C  
B  
A



NOTES:

1. MATERIAL: COPPER ALLOY
2. PLATING: BRIGHT TIN  
2.54 MICROMETERS TIN (MIN)  
OVER 0.76 MICROMETERS (MIN) NICKEL
3. FOR DETAILS OF PCB AND BEZEL LAYOUT REFER TO DOCUMENT SD-73927-100.
4. THIS PRODUCT NOT INTENDED FOR LEAD FREE, (RoHS), REFLOW PROCESS.  
REFLOW TEMPERATURE SHOULD NOT EXCEED 180°C
5. FOR RoHS COMPLIANT REPLACEMENTS REFER TO MOLEX SERIES 74737.

<b>ENTER DESCRIPTION</b> EC NO: UST2006-0264 DRWN:KJMONSON 2006/07/03 CHKD:BRUSSELL 2006/07/06 APPR:BRUSSELL 2006/07/24 A	QUALITY SYMBOLS	GENERAL TOLERANCES (UNLESS SPECIFIED)		DIMENSION STYLE		SCALE	DESIGN UNITS	THIRD ANGLE PROJECTION
	▽=0 ▽=0	mm	INCH	MM/IN		4:1	METRIC	<input checked="" type="checkbox"/> THIRD ANGLE <input type="checkbox"/> PROJECTION
	4 PLACES ± --- ± --- 3 PLACES ± --- ± .005 2 PLACES ± 0.13 ± .01 1 PLACE ± 0.25 ± --- ANGULAR ± 1 °	DRAWN BY KS IMONSON 2005/10/12 CHECKED BY BRUSSELL 2005/10/12 APPROVED BY BRUSSELL 2005/10/12	DATE DATE DATE	TITLE SFP CAGE COVER				
	DRAFT WHERE APPLICABLE MUST REMAIN WITHIN DIMENSIONS	MATERIAL NO. 739270020	DOCUMENT NO. SD-73927-0020	MOLEX INCORPORATED		SHEET NO. 1 OF 1		

19 18 17 16 15 14 13 12 11 10 9 8 7 6 5 4 3 2 1

